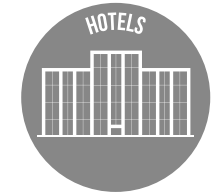


## TECHNICAL SPECIFICATION RECOUP EASYFIT+



- Double-walled copper horizontal heat exchanger
- Designed to fit under a standard bath
- Can be installed under suitably sized riser shower tray
- Up to 47.6% heat recovery efficiency \*
- Can be retrofitted into an existing system
- 3 recognised installation methods (System A, B & C)
- No-end user interaction required
- No planned maintenance
- SAP listed, SBEM, BREEAM, DEAP & ETL recognised
- WRAS approved
- Legionella Control risk assessed

### GENERAL DATA

DESCRIPTION	VALUE
Minimum height required for installation	95 mm
Overall product length	1176 mm
Overall product width	386 mm
Material - Heat Exchanger	Copper
Shower flow rate range	5 - 20 Litres/min
Max. Mains water inlet pressure	10 bar
Min. Mains water inlet pressure	1 bar
Max. Mains water working temp	85 °C
Mains & Preheated water connection	½" male BSP
Waste water connection	40 - 43 mm
Full product weight	9.7 kg
Water volume - mains water	0.87 Litres

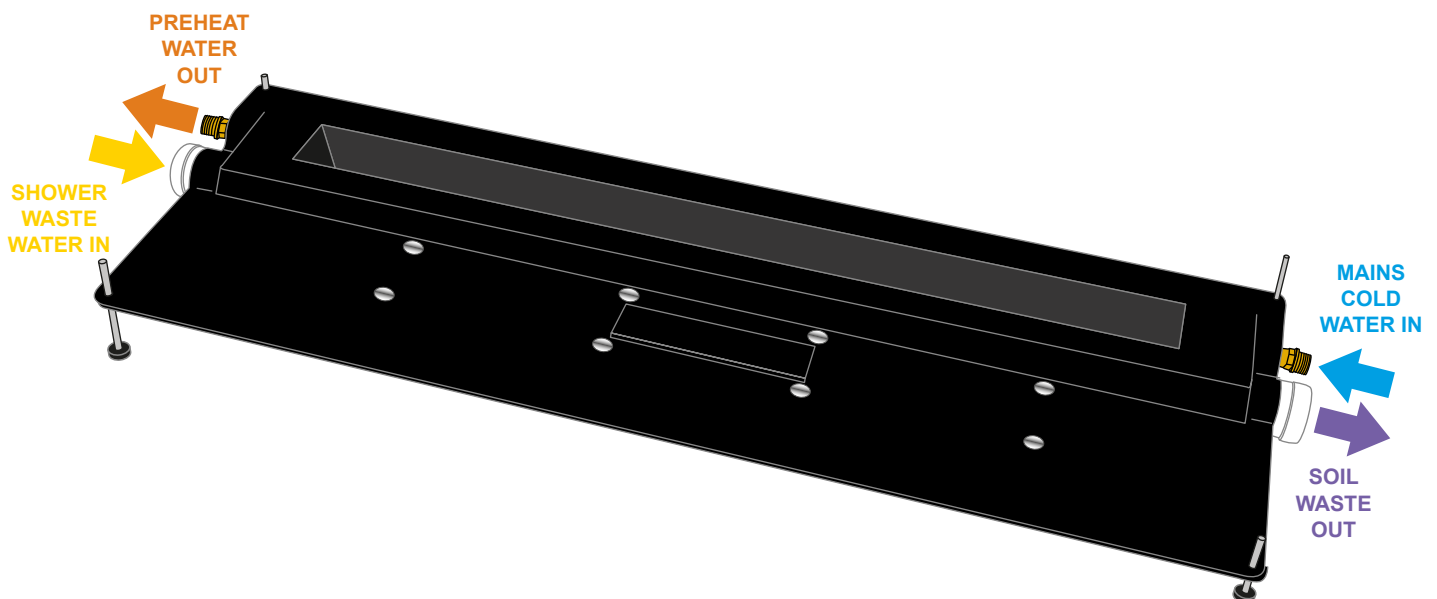
### PERFORMANCE & EFFICIENCY

SHOWER FLOW RATE @ 40°C (LITRES/MIN)	EASYFIT+ EFFICIENCY ( RECOVERED ENERGY KW ) *		
	SYSTEM A	SYSTEM B	SYSTEM C
5.8	47.6% (5.01)		
9.2	46.4% (7.74)		
11.0	44.2% (8.70)	35.2% (7.02)	39.2% (7.82)
12.5	41.8% (9.48)		

### PRESSURE DROP ON THE MAIN WATER CIRCUIT

SHOWER FLOW RATE @ 40°C (LITRES/MIN)	EASYFIT+ PRESSURE DROP ( BAR )		
	SYSTEM A	SYSTEM B	SYSTEM C
5.8	0.09	0.06	0.04
9.2	0.26	0.16	0.10
12.5	0.45	0.28	0.18

\* Based on KIWA test data and PCDB figures for SAP 2012



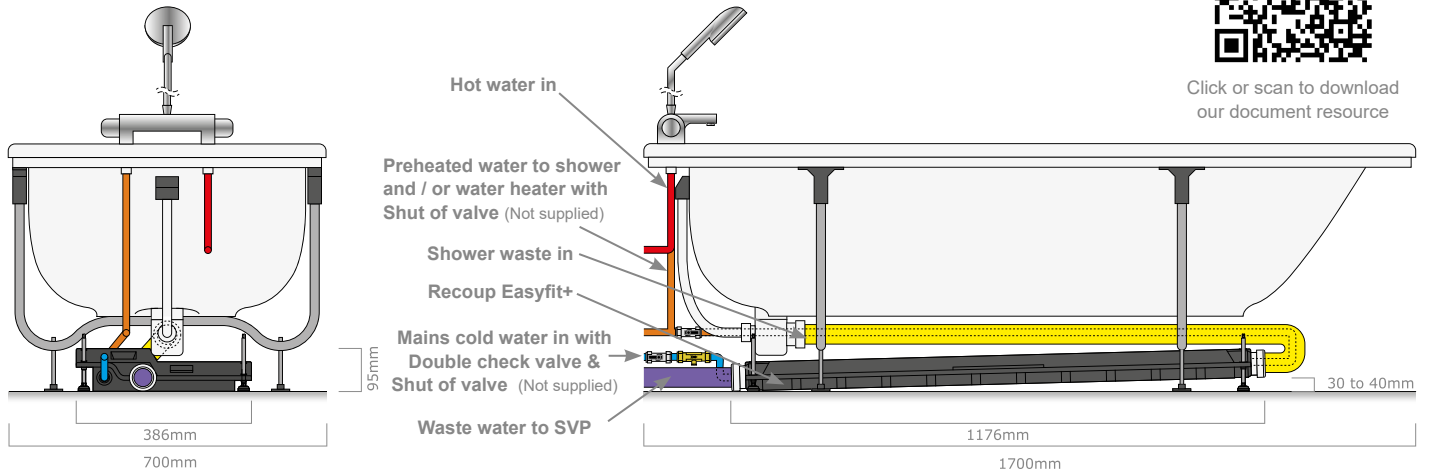
## DRAWINGS & DIAGRAMS

DOCUMENT RESOURCE

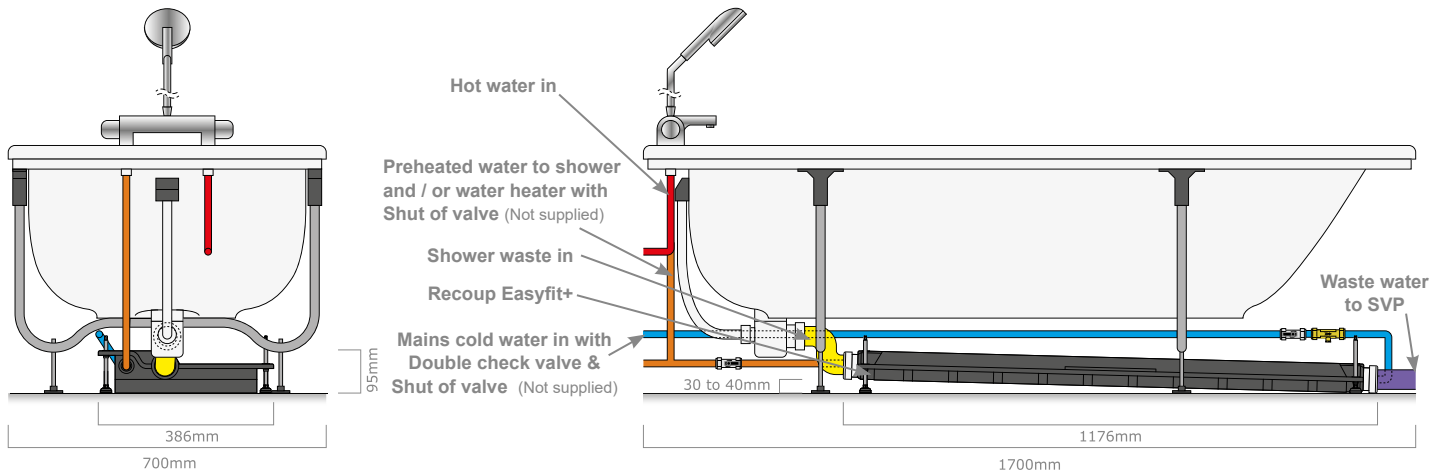


Click or scan to download our document resource

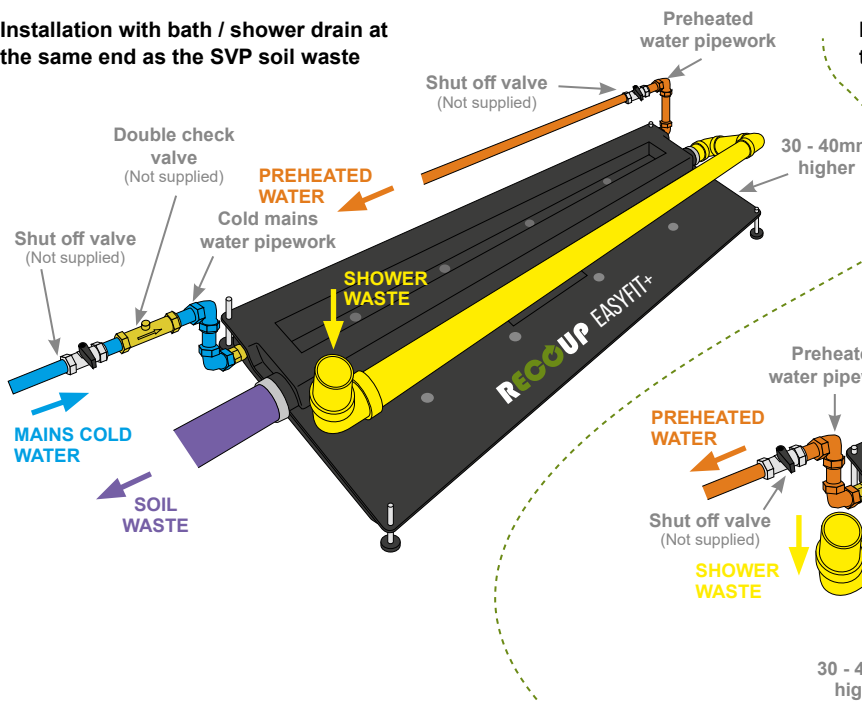
### Installation with bath / shower drain at the same end as the SVP soil waste



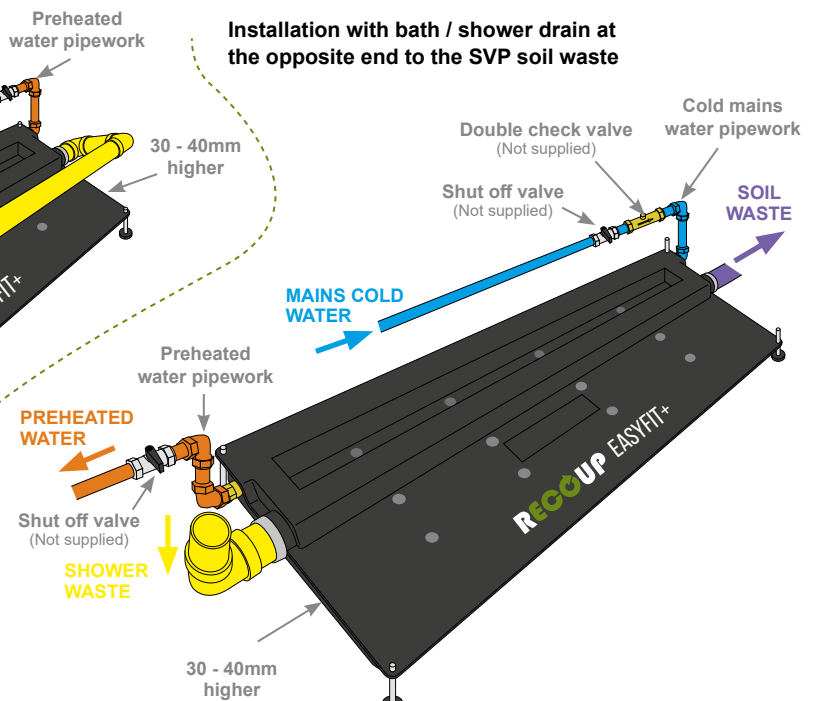
### Installation with bath / shower drain at the opposite end to the SVP soil waste



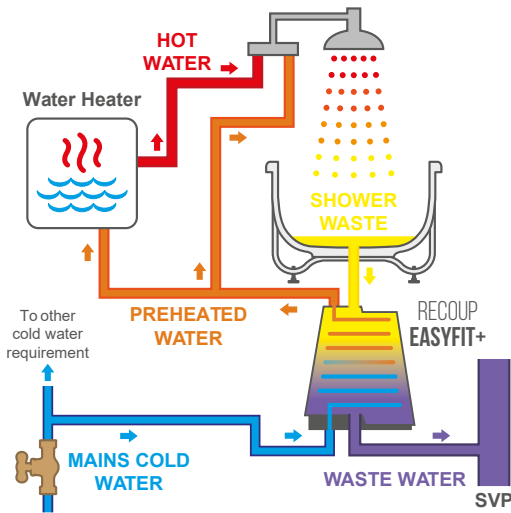
### Installation with bath / shower drain at the same end as the SVP soil waste



### Installation with bath / shower drain at the opposite end to the SVP soil waste



## INSTALLATION METHODS



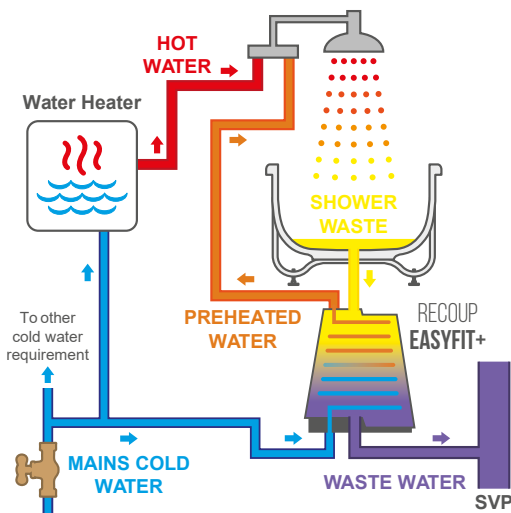
### SYSTEM A

**Preheated water supplied to shower mixer (cold inlet) and the water heater**

This installation method provides the highest WWHRS efficiency.

Only one WWHRS unit can supply preheated water to the water heater as System A. All secondary WWHRS units should be connected as System B.

To maximise SAP impact, install WWHRS as System A on the primary shower, or in a room with a shower only.

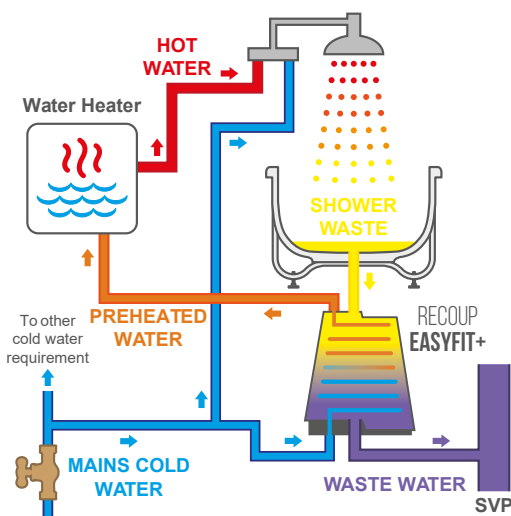


### SYSTEM B

**Preheated water supplied to shower mixer (cold inlet) on the shower only**

The WWHRS efficiency of this installation method is not as high as System A or C but is the simplest and often the most cost-effective method to install or retrofit.

As preheated water is supplied to the cold side of the shower TMV only, there is no additional connection to the water heater . System B should be used for any secondary showers in a dwelling or where multiple showers are fed from centralised plant.



### SYSTEM C

**Preheated water supplied to water heater only**

Greater WWHRS efficiencies are produced than System B but lower than System A. Only one WWHRS unit can feed preheated water to the water heater as System C.

Combi-Boiler, Cylinder (Any heat source inc. Boiler, Heat Pump, Direct Electric, Solar Thermal), Heat Interface Unit (HIU) or Thermal Store.

● For more detail watch our [installation method animation](#) here.

## SPECIFYING - RECOUP EASYFIT+

Recoup WWHRS | Easyfit+ | Installed as System A; System B; System C (delete as appropriate) | to (Add shower(s) install location)

Include the line of text above or go to [specify.recoup.co.uk](https://specify.recoup.co.uk) for the full Recoup Easyfit+ product specification.