



5250 Dual Profile Cylinder Mortice Nightlatch

Features:

- Automatic locking action without key, when door is closed with latch bolt out.
- Deadlocking cylinder. Operation: Inside lever handle made inoperable by full turn of the key from outside.
- Latch bolt is automatically deadlocked from end pressure when latch bolt is out and door is closed.
- Latch bolt may be held in by rotating the knurled wheel on forend of lock.
- Reversible latch bolt, cylinder and lever handle, to suit either hand of door.
- Steel box striking plate to protect the latch bolt.
- Rebated conversion sets available
- Key and spindle back set 57mm.
- One case easily adaptable to accept most Euro or Oval profile cylinders.
- 47.6mm centres Euro profile. 48mm centres Oval profile

Cylinder Profiles

Euro

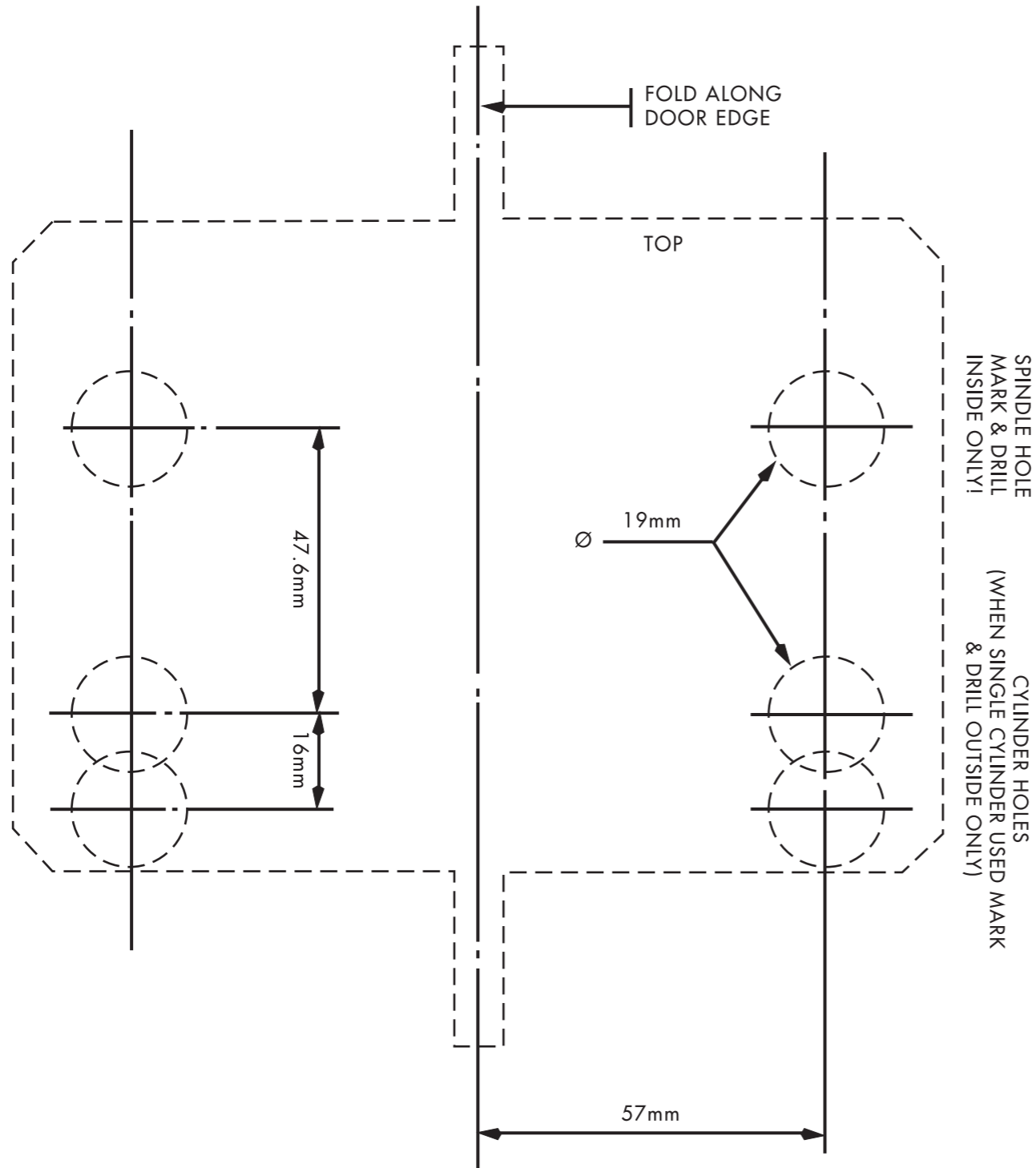


Oval



Can be converted to right hand by following simple instructions on reverse.

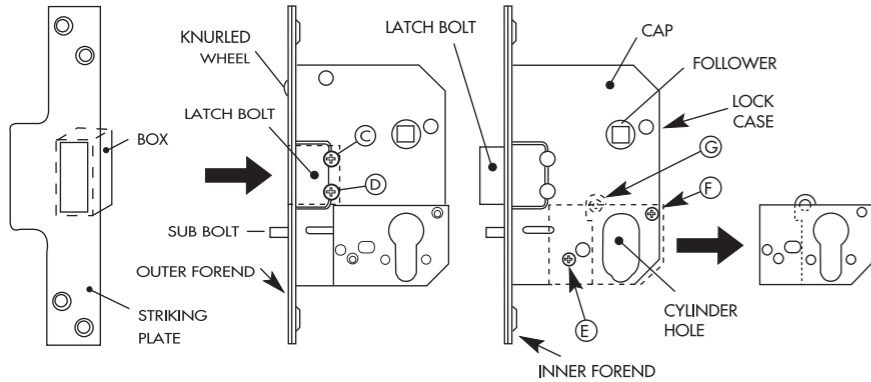
FITTING INSTRUCTIONS ON REVERSE.



Please carry out the following tests before proceeding to fit.

Operate cylinder with all keys before fixing.

If cylinder is not already inserted within latch case remove outer forend, insert into latch case, fix in position with M5 screw provided.



MORTICE NIGHTLATCH HANDING

1. Push back latch bolt, hold in and remove screws (C) and (D) through holes in cap.
2. Release and remove latch bolt, turn over and re-insert.
3. Push back latch bolt, refit screws fully and check operation.

MORTICE NIGHTLATCH PROFILE CONVERSION

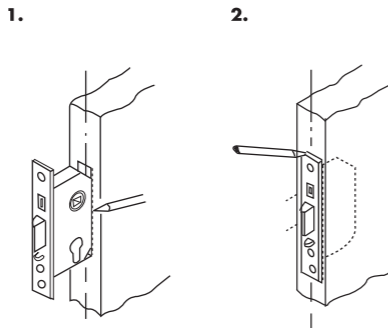
1. Remove screws (E), (F) and (G) on reverse side and discard.
2. Slide conversion plate from lock case and discard.

FITTING INSTRUCTIONS

PREPARATION FOR FIXING LATCH

Remove outer forend, remove M5 cylinder screw, turn cylinder key to enable cylinder to be withdrawn from latch.

1. Position latch centrally on door edge and mark around case of latch. Cut or drill out a slot to suit latch case ensuring a reasonably good but not overtight fit.
2. With outer forend replaced insert latch into door and mark around forend. Remove wood 3.5mm deep to allow flush fitting of latch to door. Remove latch from door.



3. Using template supplied mark on door position of holes required.

If using a double cylinder or thumbturn cylinder mark cylinder holes on both sides of the door.

If using a single cylinder mark cylinder holes on the outside of the door and the spindle hole on the inside of the door only, ensure back of cylinder is clear in the mortice.

Drill the required holes 19mm through into the mortice.

THE SPINDLE HOLE MUST NEVER BE MARKED OR DRILLED RIGHT THROUGH THE DOOR, ONLY INTO THE MORTICE FROM THE INSIDE.

Remove any chippings from the mortice.

4. Remove outer forend, insert latch into door and fix in position with woodscrews provided.

Insert cylinder into latch through door. Fix in position with the M5 screw, check operation of the latch.

Replace outer forend.

With door open, cut spindle to required length, screw on furniture to the door and test operation of latch from both sides as follows, do not shut door until tested O.K.

Hold sub bolt in by hand, latch should not be able to be pushed in. With sub bolt head in, check that the furniture and cylinder will still withdraw the latch bolt.

With latch bolt back, operate snib by rotating knurled wheel to hold in latch bolt.

PREPARATION TO FIX BOX STRIKING PLATE

5. With the door open and the latch out close the door gently onto the frame and mark the position of the latch bolt.
6. Transfer the lines of the latch bolt to the positions required when the door is closed.

Remove wood from the door frame to accept the box section of the striking plate to a depth of 22mm. Position the box section of the striking plate in the hole. Mark around the plate and remove wood to allow the plate to finish flush with the frame.

Fix with two of the four screws provided and check all operations of the latch with the door closed.

Adjust the position of the striking plate if necessary and insert the remaining screws.

Re-check all the operations of the latch.

TEMPLATE ON REVERSE

NOTICE TO INSTALLERS

Use **MUST** be made of the fixing screw provided, to secure the cylinder in the Lock Case.

On cylinder operated mortice locks the cylinder is always assembled to the lock case after the case has been fixed in the door. Incorrect alignment of the cylinder can lead to difficulty in operation and accelerated wear.

Sufficient clearance must be allowed around the cylinder body for it to freely take up its correct position in the lock case when held in position by the cylinder fixing screw.

