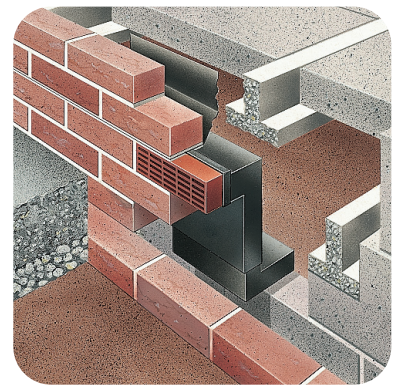
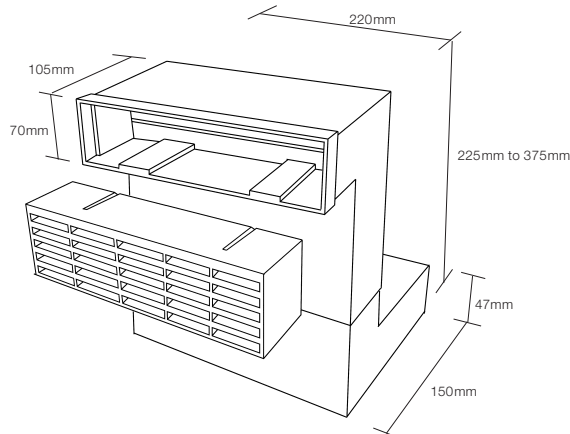


# Telescopic underfloor vent

Tough, adjustable ventilator for ground floors



## Use

- To provide ventilation below suspended ground floors

## Features and benefits

- Telescopic and adjustable for a step of 3, 4 or 5 brick courses
- Equivalent of 6000mm<sup>2</sup> per unit
- Special grille included to prevent entry of vermin
- Durable, robust and totally resistant to decay

## Quality

- Satisfies all NHBC requirements
- Manufactured to BS EN ISO 9001 : 2000
- Complies with all relevant Building Regulations
- Meets all relevant British Standards

## Material and colour choice

- Manufactured by injection moulding in polypropylene
- Available in black only in packs of 20

## Products in the system

- 1201 telescopic underfloor ventilator
- Matching airbrick and a range of accessories - see following sections

## Telescopic gas vent outlets (1201+1201AB+1206+GVL900)

The combined units will allow ventilation outlets to either a sub floor void or via a range of adaptors to a venting layer and allow the provision of a minimum of one complete volume change per 24 hours as required by the NHBC. The Timloc vent units will achieve an airflow rate of 4.85L/sec (17m<sup>3</sup>/hr) or equal to an equivalent area of 6000mm<sup>2</sup>. NB. All airflow testing has been independently tested by the BRE to BS EN 13141-1.

## Installation advice

- Always use in conjunction with a Timloc airbrick
- The airbrick and upper front opening of the telescopic underfloor ventilator must be positioned above the finished external ground level - usually at the same level as the ground level DPC
- The lower rear opening of the product must project down to the level of the underfloor void and must not be obstructed by the floor construction. A vertical extension sleeve is available to fit with this product if the standard 5 course step is not adequate
- Building Regulations require a free airflow below suspended ground floors of at least 1500mm<sup>2</sup> per metre run of wall. This can be achieved by spacing the ventilators at 4m centres, however, such a wide spacing is not recommended as stagnant air pockets could form in the underfloor void. Timloc recommend a spacing of not more than 2m centres

- The NHBC recommend that underfloor ventilators are spaced at a maximum of 2m centres, with ventilators also positioned not more than 450mm from the ends of the wall
- As a minimum requirement ventilators should be positioned down two opposite sides of the building so as to create a cross flow ventilation action. It is good practice to position ventilators around the full perimeter of the building, particularly with complex building designs
- If the underfloor void is separated by dividing walls, openings must be provided to allow a free flow of air around the underfloor void
- The standard ventilator will fit into a cavity wall with an external leaf of 100-102.5mm, a cavity width of 50mm and an inner leaf of 100mm. External and internal horizontal extension sleeves are available to accommodate thicker walls or wider cavities

**Please see technical section for more details.**

## How to order

- Measure the length of each wall requiring telescopic underfloor ventilators, and divide by 2m to establish the quantity required.
- Always round up if the calculation does not work out to an exact whole number

## Bill of quantity

### F30 Accessories/sundry items for brick/block/stone walling

Clause

160 AIR BRICK

To BS493, Class 1, built in as the work proceeds.

- Manufacturer: **Timloc Building Products, Rawcliffe Road, Goole, East Yorkshire, DN14 6UQ. Tel: 01405 765567, Fax: 01405 720479. Web: www.timloc.co.uk**
- Reference: **1201 Telescopic Cranked Under Floor Vent (6,000mm<sup>2</sup>)**
- Design: **Rectangular**
- Work size: **Each unit 225/375mm coursing x 220mm, (6,000mm<sup>2</sup> equivalent area)**
- Material: **Thermoplastic**
- Colour:..... **Black**
- Optional Accessories:.....

**1204 Vertical Extension Sleeve (additional 2 brick courses)  
1205 Duct Adaptor (suits 110mm diameter duct)**

## Product code

### Telescopic underfloor vent

Equivalent area	Product code
6000mm <sup>2</sup>	1201