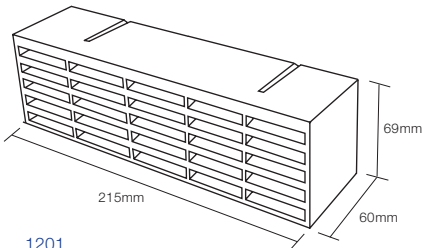


Airbrick

Effective airbrick ventilator available in a range of colours



1201



Use

- In conjunction with the telescopic underfloor ventilator for providing ventilation below suspended ground floors
- In conjunction with cavity sleeves for ventilation through external walls to a building interior

Features and benefits

- Equivalent area of 6170mm² per air brick
- Unique stepped front grille greatly reduces the entry of wind driven rain
- 6.5mm wide front grille openings comply with BS 5440 Pt 2 and British Gas requirements
- Integral clip together facility allows multiple airbricks to be stacked to form 9" x 6" and 9" x 9" sizes
- Available in a range of colours to blend in with various brick types
- Very tough and robust
- Durable and totally resistant to decay
- 9" x 6" cowl version available to replace double air brick - provides an equivalent area of 11,000mm²

Quality

- Satisfies all NHBC requirements
- Manufactured to BS EN ISO 9001 : 2000
- Complies with all relevant Building Regulations
- Meets all relevant British Standards
- Equivalent area marking to front face of airbrick to comply with BS EN 13141-1 : 2004

Material and colour choice

- Manufactured by injection moulding in UV stabilised polypropylene
- The 1201AB airbrick is available in buff, terracotta, grey, brown, black and white, in packs of 20

Installation advice

- Always use in conjunction with a Timloc telescopic underfloor ventilator, or cavity sleeve, depending on the application

Please see technical section for more details.

How to order

- Airbrick quantity will be relative to the number of telescopic underfloor ventilators or cavity sleeves required. Please see technical section
- State the colour required

Bill of quantity

F30 Accessories/sundry items for brick/block/stone walling

Clause

160 AIR BRICK

To BS493, Class 1, built in as the work proceeds.

• Manufacturer: **Timloc Building Products, Rawcliffe Road, Goole, East Yorkshire, DN14 6UQ. Tel: 01405 765567, Fax: 01405 720479. Web: www.timloc.co.uk**

• Reference: **1201AB (Interlinking Airbrick)**

• Design: **Rectangular**
• Work size: **Each unit 69mm coursing x 215mm, (Equivalent area 6170mm²)**

• Material: **Thermoplastic**

• Colour:..... **(Black, White, Brown, Buff, Grey or Terracotta)**

• Optional Accessories:.....

e.g. **1201 Telescopic Cranked Under Floor Vent (6,000mm²)**

Product codes

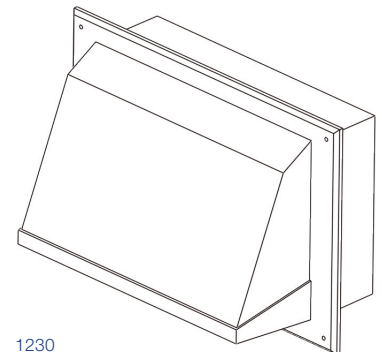
Airbrick

Equivalent area	Colour	Product code
6170mm ²	Buff	1201 AB-Buff
6170mm ²	Terracotta	1201 AB-Terra
6170mm ²	Grey	1201 AB-Grey
6170mm ²	Brown	1201 AB-Brown
6170mm ²	Black	1201 AB-Black
6170mm ²	White	1201 AB-White

Double airbrick replacement cowl

Equivalent area	Colour	Product code
11,000mm ²	Buff	1230 AB-Buff
11,000mm ²	Brown	1230 AB-Brown
11,000mm ²	Terracotta/	1230 AB-Terra
11,000mm ²	White	1230 AB-White

NB. Guidance in BS EN 13141-1 : 2004 indicates the "free area" of a background ventilator is typically 25% larger than its "equivalent area"



1230