

# Aitech

## ALTMRV & ALTD0V

### RADIATOR VALVES



# RADIATOR VALVES



## Design

The Altech manual radiator valves provide manual regulation and isolation to radiators and other heat emitters on heating systems.

The valves are suitable for use as both a wheelhead or lockshield valve simply by changing the handwheel to the lockshield cover, both of which are supplied.

The handwheel and lockshield cover are secured by a retaining screw minimising the possibility of accidental removal, which would expose the potentially dangerous valve stem.

The valves are of compact design with non rising valve stems and have a serviceable gland, should maintenance be required in the future.

Their aesthetic design satisfies the requirements of modern commercial buildings and domestic interiors.

Chrome plated bodies with white handwheels and lockshield covers give an unobtrusive appearance and complements most decors.

A lockshield valve with an integral drain feature is available to complement the wheel head valve, making draining the system or branch much easier.

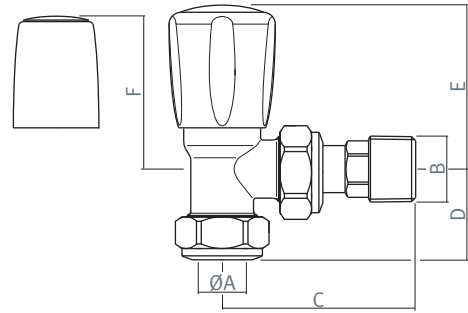
The inlet connection to all valves is compression, for use with half hard R250 copper tube, and the outlet connection is a union tailpipe with 1/2" external pipe thread to BS EN 228.

The 8 mm inlet connection is achieved by fitting an adaptor in to the 10 mm valves.

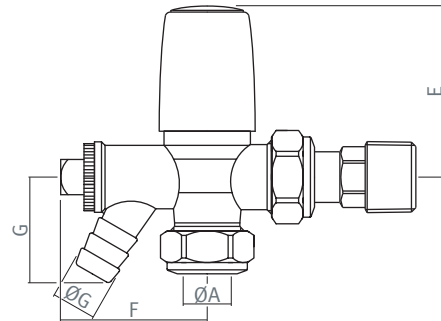
## Product Range

Prod Code	Description
ALTMRV81	10/8 mm - with handwheel and lockshield cover
ALTDV81	10/8 mm - with lockshield cover and drain tap
ALTMRV15	15 mm - with handwheel and lockshield cover
ALTDV15	15 mm - with handwheel and lockshield cover

## Dimensions



Prod Code	ØA	B	C	D	E	F	kg
ALTMRV81	10 or 8	105	60	26	51	49	0.19
ALTMRV15	15	105	60	27	51	49	0.20



Prod Code	ØA	E	F	G	H	kg
ALTDV81	10 or 8	49	42	31	12.5	0.23
ALTDV15	15	49	42	31	12.5	0.24

## Materials of Construction

Body	Brass	BS EN 12165 CW617N
Union nut	Brass	BS EN 12164 CW617N
Tailpiece	Brass	BS EN 12164 CW614N
Seals - 'O' rings	EPDM	
Gland seal	PTFE	
Handwheel	ABS (RAL 9010)	
Lockshield Cover	ABS (RAL 9010)	
Body finish	Chrome Plated	

## Technical Specification

Valves comply with:	BS 2767
Max. working pressure (static):	10 bar
Max. temperature:	100 °C
Medium:	water, glycol solution
Max percentage of glycol:	30%

E & O.E

# Altech

SAINT-GOBAIN BUILDING DISTRIBUTION LIMITED  
SAINT-GOBAIN HOUSE, BINLEY BUSINESS PARK  
COVENTRY CV3 2TT

Registered in England and Wales Number 1647362

AL 172

20-12-13