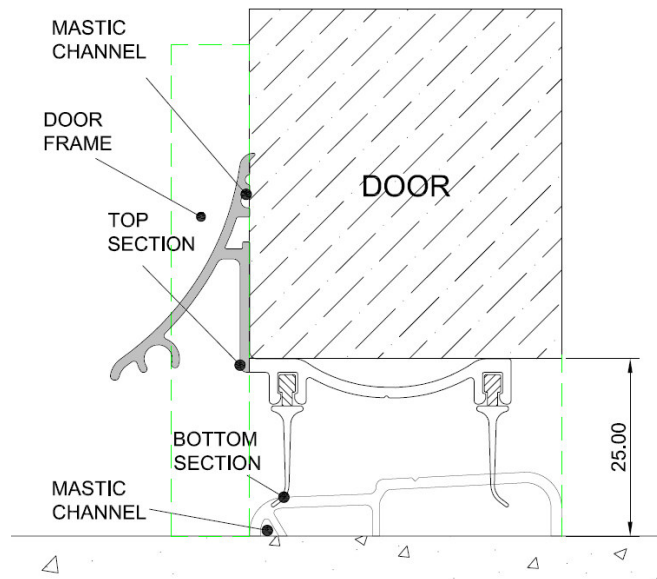


stormguard



1. Before removing the door from its hinges, with the door closed and working on the inside, measure 23-25mm from the floor, all along the length of the door, noting any variations due to uneven floor etc., and mark this measurement on the inside of the door, with a sharp pencil or marking tool, using a suitable straight edge.
2. Remove the door from its hinges and saw along the mark, **square to the door face**, so that the space created between the bottom of the door and the floor is 23-25mm **all along its length**.
3. Rehang the door and check accuracy of the spacing dimension.
4. Cut the *Bottom section* to the exact width of the doorframe rebate (i.e. fractionally longer than the door width).
5. Place the *Bottom section* in position as shown, with the front of the floor piece tucked behind and abutting up to the door stops of the doorframe.

Drill and plug the floor, if necessary in line with the countersunk holes in the floor piece. Fasten to the floor with the screws and **Admastik**.

6. Remove and retain the pins securing the draught strips in the *Top section*, then remove the rubber draught strips **before cutting**. Cut the *Top section* to the width of the door bottom. Cut the draught strips to the same width and insert them back into the *Top section*, re-fixing the pins to secure them in position.
7. Holding the *Top section* in the correct position on the base of the door, mark with a pencil on the metal (plus 2mm), where the rain deflector fouls the door stops when attempting to close the door. [see shaded area on the drawing](You may need to temporarily fix the door piece to the door with screws to achieve this). Cut the ends of the rain deflector [**shaded section only**] with a hacksaw, leaving the rubber seals to run the full width of the door.
8. Attach the plastic end protectors to the rain deflector section.
9. Fit the *Top section* (using the screws provided and **Admastik** sealant) to the bottom of the door as shown.